



Color Night Vision Camera Demo Kit NLX-PH001-DK

*Price NOT Fixed
*Lens Optional

Color Night Vision photography with Nanolux patented tech Experience COLOR with the NLX-PH001-DK Camera Set



Camera Body NLX-PH001-C

Dedicated Remote Controller Illuminator NLX-PH001-L



Full HD
1080

Image: Fully Equipped Unit
*Lens and tripod sold separately

Camera & Illuminator Kit

With this kit the user can easily verify and experience Color Night Vision technology. *1

Color Shooting in 0 Lux Environment

By using this patented technology the user can capture full color images in the absence of visible light (0 Lux).

This camera is dual-purpose, suitable for both day and night use.

3-Plate Full HD Color Camera

This device is a 3-plate full HD color camera that uses an IMX265 1/1.8" CMOS image sensor with global shutter.

Due to its excellent sensitivity in the near infrared range, high frame rate and S/N ratio is possible.

By combining a partner's CIS Clairvu image processing with our own, very high quality images can be achieved.

Compact Infrared Illuminator

A small lightweight illuminator suitable for the color night vision experience is included.

Emission intensity for each wavelength can be adjusted.

Special mounting pieces for affixing illuminator to camera body are also included.

Operate via Remote Control

Settings and operation of this camera are by remote control which can be monitored via the On Screen Display (OSD). If connecting through a PC with the included USB cable, additional camera settings are accessible/settable via serial communication.

C Mount Compatible

From wide angle to telephoto this type on lens is suitable for the most extensive range of uses and environments; according to customer opinion. *2

SDI Video Output

This unit conforms to the SDI standard widely used for commercial video equipment. RAW output is also supported. *3

Additional Features

- Day/Night Mode Automatic Switching
- Exposure System Interlock Control (DC Iris/Shutter Speed/Gain)
- Various White Balance Settings (Presets & Auto Control)
- Flicker Cancel
- Many Image Quality Adjustment Items (Contour Correction, Color Saturation, etc.)

*1 The lens is sold separately. The user should prepare a lens that meets their requirements. Nanolux possesses trial lenses for demonstration. If interested, please contact Nanolux.

*2 Select a lens that will not make contact with the rear lens, especially during telephoto shooting.

*3 For details on RAW output, please contact Nanolux.

Nanolux co. ltd.

2-1-6 Sengen Tsukuba City, Ibaraki, Japan 305-0047

Tel: +81-50-3558-7115 / E-mail info@nanolux.co.jp

Homepage: <http://www.nanolux.co.jp>

■ Main Specifications

Camera

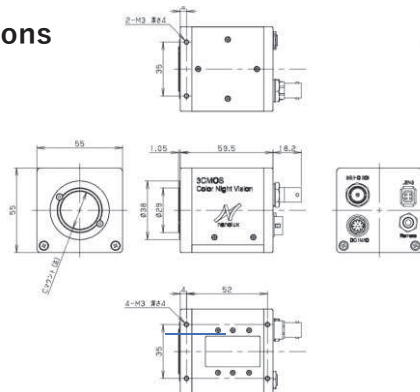
Model Name	NLX-PH001-C
Sensor	Sony IMX265 1/1.8" CMOS image sensor with global shutter Effective Pixel: 2064 (H) x 1544 (V) Pixel Size: 3.45 μm (H) x 3.45 μm (V)
Prism	1/1.8" color separation prism Characteristics: Under Visible Light → RGB Under Near Infrared → 3 wavelength bandpass
Image Output Pixels	1080p, 1080i : 1920(H) × 1080(V)
Aspect Ratio	16 : 9
Video Output Format	1920 x 1080p @60fps (Level A, Level B) 3G-SDI 1920 x 1080p @30fps 3G-SDI 1920 x 1080i @59.94fps HD-SDI RAW Output Info: *Please Contact Nanolux
Video System	3G-SDI/HD-SDI : Y/Pb/Pr(4:2:2 10bit) BNC 75Ω termination
Gain Setting	Manual, Auto, between 0dB~48dB
Shutter Speed	Manual, Auto, between 1/13600s~1/25s In Auto upper and lower limits can be set. *Shutter speed lower than 1/60s is limited by the video output frame rate.
White Balance	Auto, Auto (outdoor), 7 Presets, Manual, User Presets 1-5, Simple Auto, One Push
Flicker Cancel	On/Off function
Image Quality Adjustment	Contour Correction, Color Saturation Adjustment, Contrast, Dynamic Range, Pedestal, Color Balance
IR-cut Filter	Not Equipped
Lens Control	DC IRIS lens available
Save/Load Camera Settings	Yes
LTC	Correspondence
Power Supply Voltage	DC+9~+15V
Power Consumption	Typ. 6W
External Dimensions	55mm × 55mm × 60mm
Weight	250 g (body only)
Lens Mount	C Mount
Operating Environment (conditions)	Operating Temperature -5 to +45 ° C, Humidity 20 to 80% RH (no condensation)

Illuminator

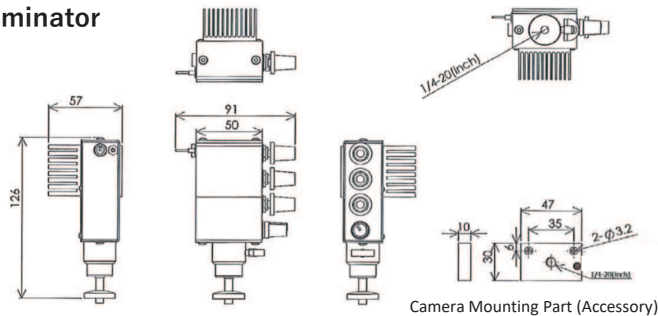
Model Name	NLX-PH001-L
Wavelength Range	IR1 : 800 ± 10nm IR2 : 870 ± 10nm IR3 : 940 ± 10nm
Total Emission Intensity	250(μW/cm ²) 700nm~1000nm Measured Distance 0.5m
Intensity Wavelength Parity	IR1 : IR2 : IR3 = 1 : 2 : 6
Intensity Dimming Range	IR1 : IR2 : IR3 Individual and total intensity adjustable from 0%~100%
Beam Opening	36° ± 9°
Power Supply Voltage	DC+12V
Power Consumption	Typ. 6.5W
External Dimensions	91mm × 126mm × 57mm (not including screws)
Weight	205g (body only)
Operating Environment (conditions)	Conforms with camera unit

■ Dimensions

Camera



Illuminator



Camera Mounting Part (Accessory)

■ Bundled Items

- Camera Instruction Manual (with warranty)
- Illuminator Instruction Manual



- Camera Body
- Camera AC Adapter
- Trip (w x4 screws)
- Remote Controller
- Stereo mini-plug for remote connection
- USB cable for serial communication



- Illuminator & Accessories
- Illuminator AC Adapter
- Camera mounting parts

Lens, light cutting filter such as IR-cutting, monitor and other capturing equipment not included. The user should prepare those which are suitable for his/her shooting purposes/environment.

⚠ Safety Warning: In order to properly and safely operate this product, please read the "Instruction Manual" provided.

Disclaimer

- The product color tone in publication may differ from the actual product. ■ Specifications and external dimensions are subject to change without notice.
- Please note company name, product names and other proper nouns are registered trademarks of the company.
- The warranty for this product can be found in the "warranty" section of the instruction manual "Overview". In the case of a product malfunction, please contact Nanolux at any time.

Nanolux Website

<http://www.nanolux.co.jp/>

For Information about products, technology, or purchases, please contact:

Nanolux co. ltd.

2-1-6 Sengen Tsukuba City, Ibaraki, Japan
305-0047
Tel: +81-50-3558-7115
E-mail info@nanolux.co.jp

Reception hours: Monday Friday 9:00 A.M. - 6:00 P.M.
(excluding national holidays, ex. New Year's)

2018.5

The content of this catalogue is as of the end of May 2018.